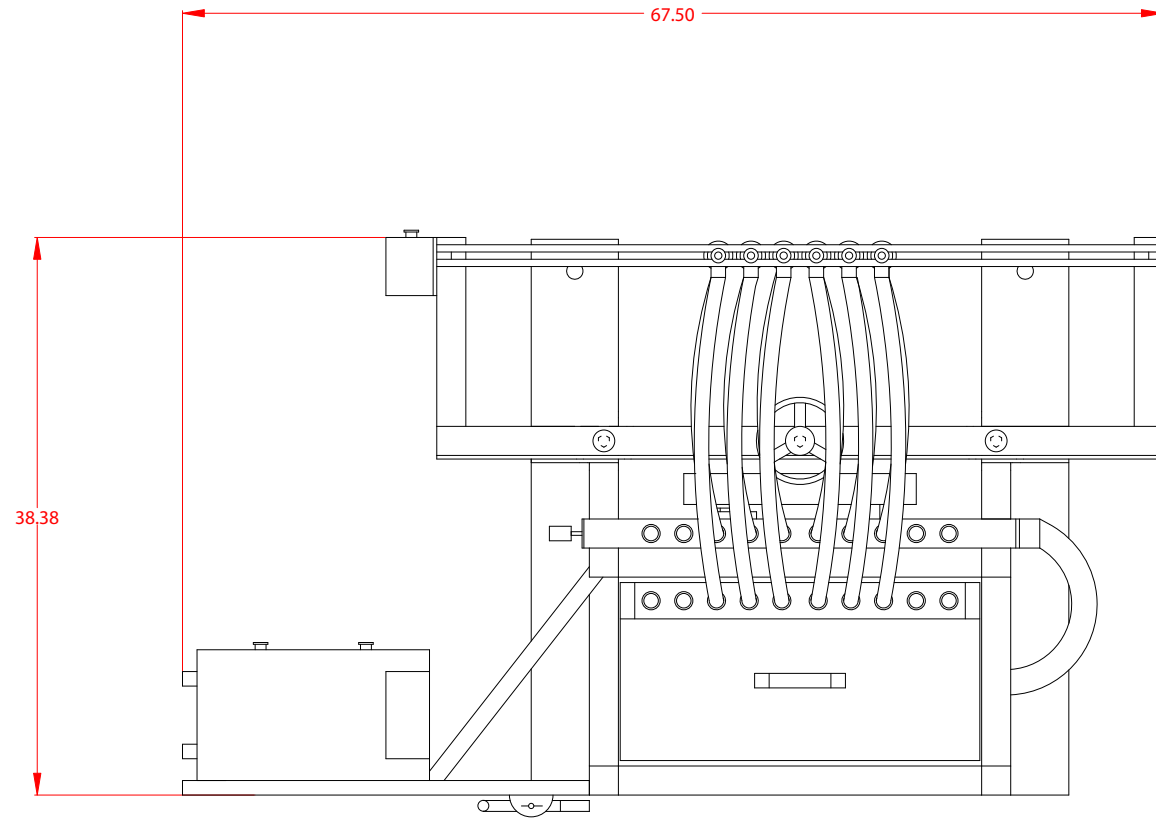




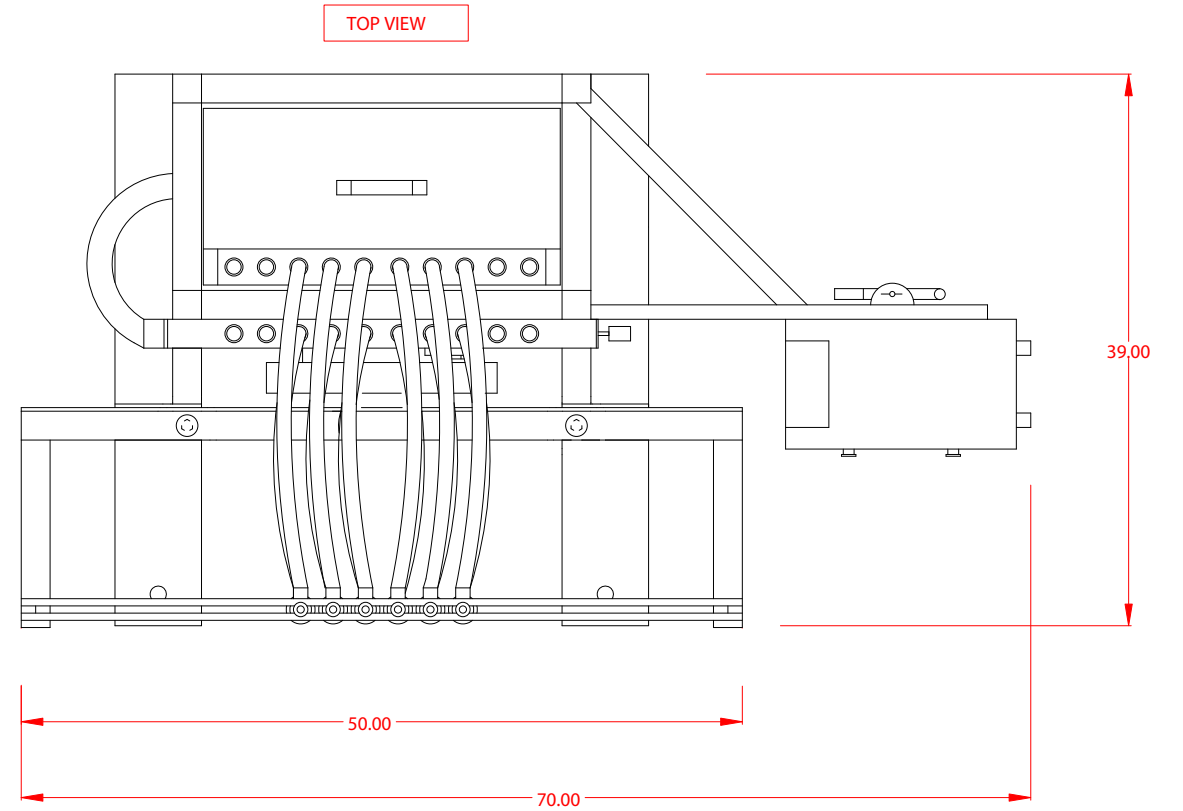
**Manufacturers of Quality
Packaging Equipment**

579 BARROW PARK DRIVE
WINDER, GEORGIA 30680
PHONE (770) 496-5712

SUREKAP MODEL SKF5000



TOP VIEW



Height Appx. 75"